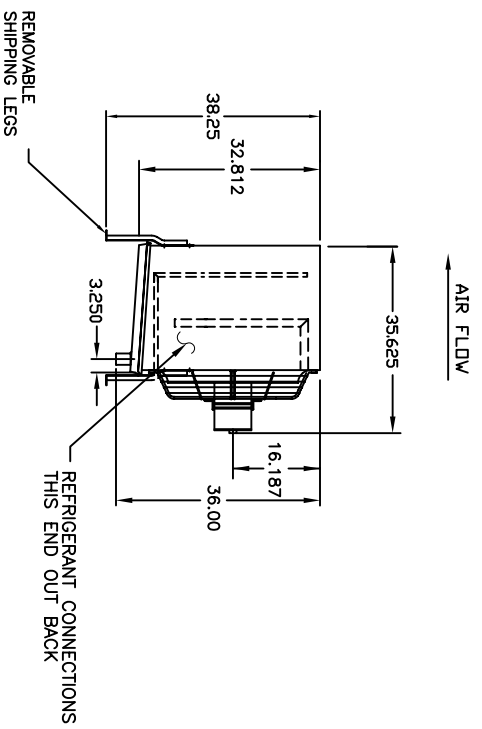
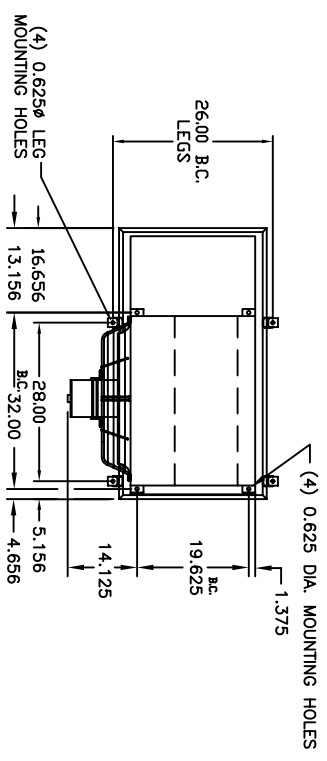


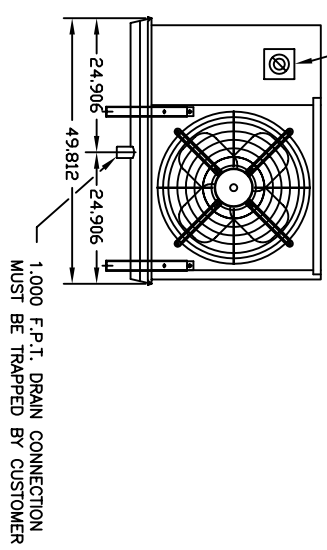
NOTE: DIMENSIONAL DRAWING FOR QUOTATION PURPOSES ONLY. DO NOT USE FOR CONSTRUCTION.



AIR FLOW



NEMA-4X NON-FUSED MOTOR DISCONNECT



| DESIGN SPECIFICATIONS | UNITS |
|--------------------------|-----------------|
| UNIT COOLING CAPACITY | BTUH |
| ROOM TEMPERATURE | °F |
| SUCTION TEMPERATURE | °F |
| REFRIGERANT | - |
| AIR FLOW RATE | CFM |
| EXTERNAL STATIC PRESSURE | INWG |
| NOMINAL FIN SPACING | FNS/IN |
| TOTAL SURFACE AREA | FT ² |
| APPROXIMATE WEIGHT | LBS. |

| SALES ORDER: | LINE: | NO. | CHANGE DESCRIPTION | DATE | CHK'D |
|----------------|-------|-----|--------------------|------|-------|
| CUSTOMER P.O.: | | | REVISIONS | | |
| CUSTOMER NAME: | | | | | |
| JOB NAME: | | | | | |
| TAG UNIT: | | | | | |
| MODEL: | | | | | |
| ITEM NO.: | | | | | |
| NO. REQ'D: | DATE: | | DRAWN: | | |
| SHEET: | | | | | |
| TOLERANCE: ± | | | | | |