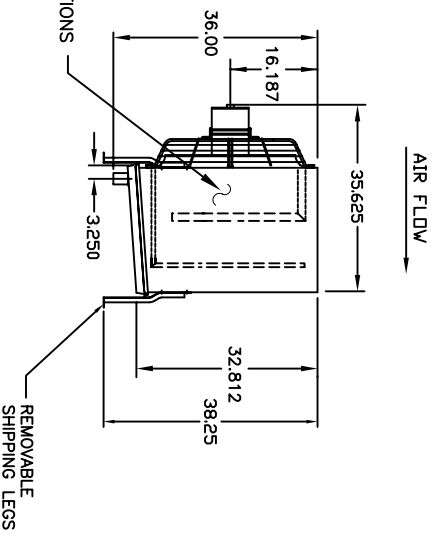
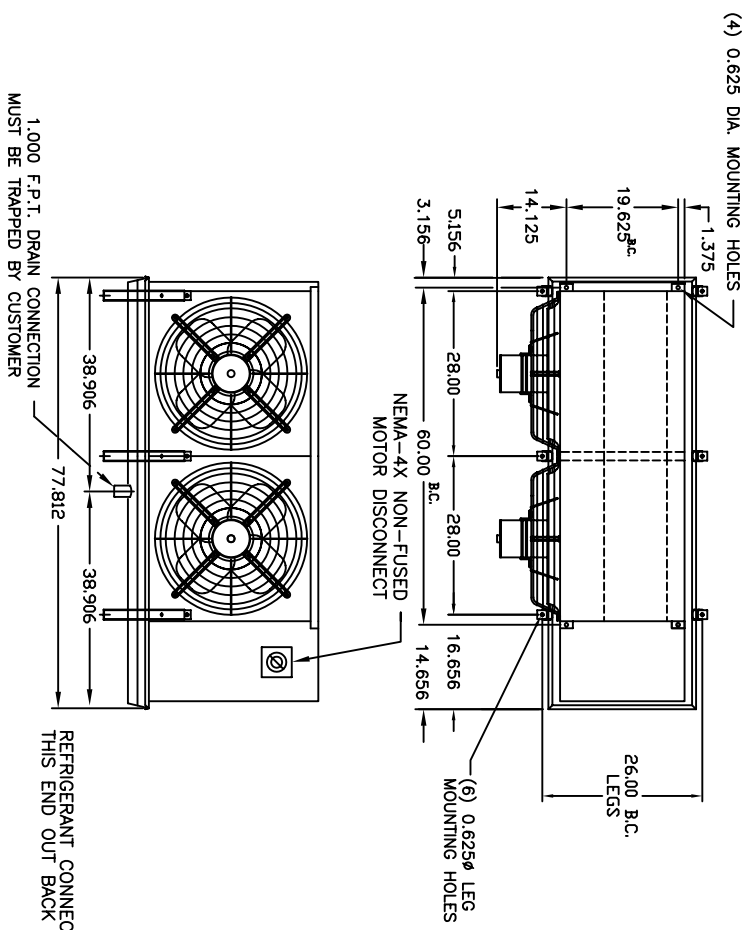


NOTE: DIMENSIONAL DRAWING FOR QUOTATION PURPOSES ONLY. DO NOT USE FOR CONSTRUCTION.



REFRIGERANT CONNECTIONS THIS END OUT BACK

DESIGN SPECIFICATIONS		UNITS
UNIT COOLING CAPACITY		BTUH
ROOM TEMPERATURE		°F
SUCTION TEMPERATURE		°F
REFRIGERANT		-
AIR FLOW RATE		CFM
EXTERNAL STATIC PRESSURE		INWG
NOMINAL FIN SPACING		FNS/IN
TOTAL SURFACE AREA		FT ²
APPROXIMATE WEIGHT		LBS.

SALES ORDER:		LINE:			
CUSTOMER P.O.:			NO.	CHANGE DESCRIPTION	DATE
CUSTOMER NAME:			REVISIONS		
JOB NAME:					
TAG UNIT:					
MODEL:					
ITEM NO.:					
NO. REV'D:	DATE:		DRAWN:		
SHEET					REV.
TOLERANCE: ±					