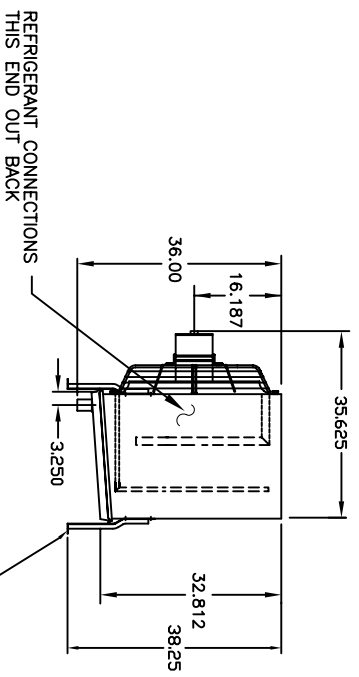
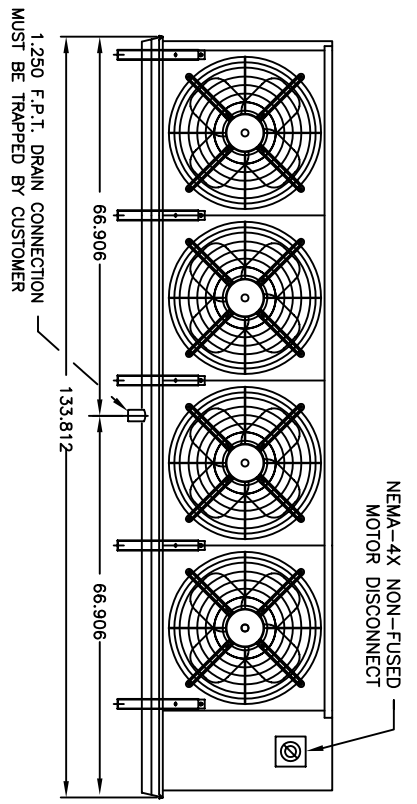
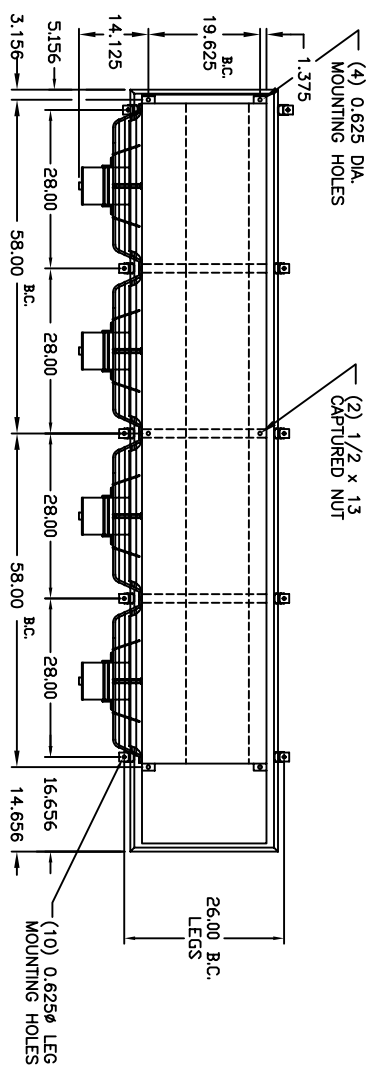


NOTE: DIMENSIONAL DRAWING FOR QUOTATION PURPOSES ONLY. DO NOT USE FOR CONSTRUCTION.



AIR FLOW

DESIGN SPECIFICATIONS		UNITS
UNIT COOLING CAPACITY		BTUH
ROOM TEMPERATURE		°F
SUCTION TEMPERATURE		°F
REFRIGERANT		-
AIR FLOW RATE		CFM
EXTERNAL STATIC PRESSURE		INWG
NOMINAL FIN SPACING		FINS/IN
TOTAL SURFACE AREA		FT ²
APPROXIMATE WEIGHT		LBS.

1.250 F.P.T. DRAIN CONNECTION MUST BE TRAPPED BY CUSTOMER

REFRIGERANT CONNECTIONS THIS END OUT BACK

REMOVABLE SHIPPING LEGS

SALES ORDER:	LINE:	NO.	CHANGE DESCRIPTION	DATE	CHK'D
CUSTOMER P.O.:					
CUSTOMER NAME:					
JOB NAME:					
TAG UNIT:					
MODEL:					
ITEM NO.:					
NO. REV'D:	DATE:		DRAWN:		
SHEET:					
TOLERANCE:					
					REV.