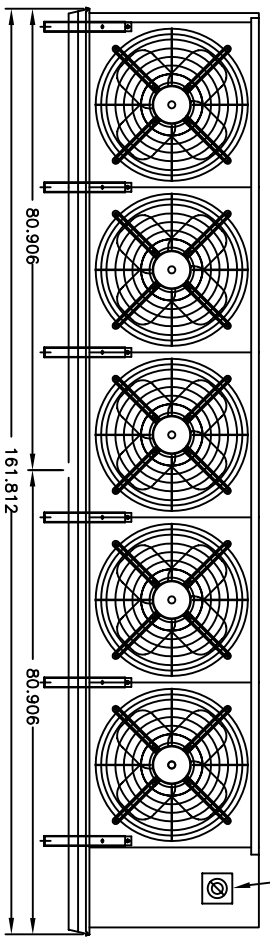
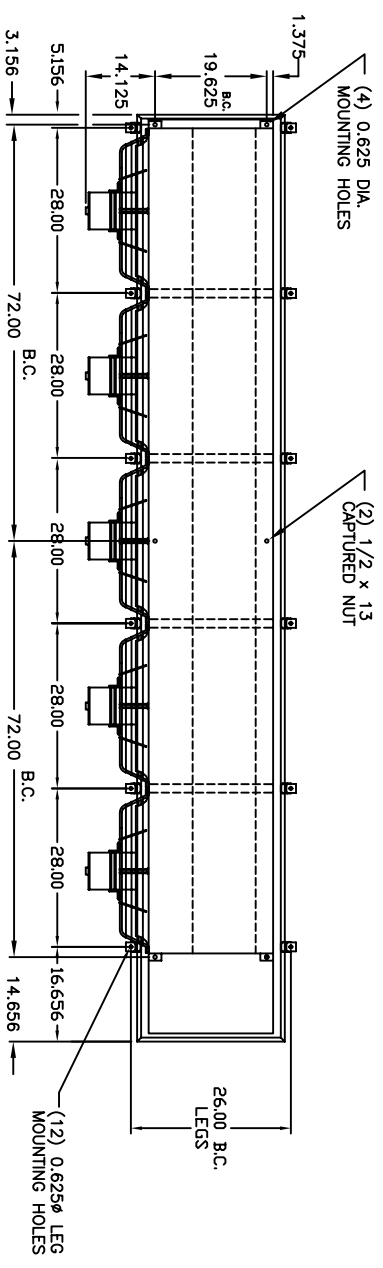
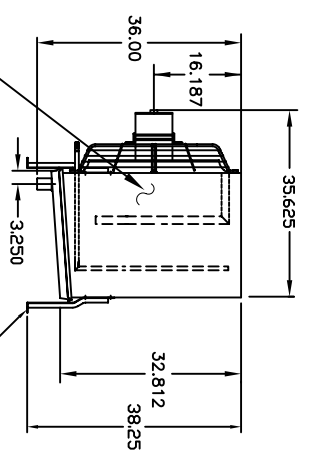


NOTE: DIMENSIONAL DRAWING FOR QUOTATION PURPOSES ONLY. DO NOT USE FOR CONSTRUCTION.



NEMA-4X NON-FUSED MOTOR DISCONNECT

REFRIGERANT CONNECTIONS THIS END OUT BACK



AIR FLOW

DESIGN SPECIFICATIONS		UNITS
UNIT COOLING CAPACITY		BTUH
ROOM TEMPERATURE		°F
SUCTION TEMPERATURE		°F
REFRIGERANT		-
AIR FLOW RATE		CFM
EXTERNAL STATIC PRESSURE		INWG
NOMINAL FIN SPACING		FINS/IN
TOTAL SURFACE AREA		FT ²
APPROXIMATE WEIGHT		LBS.

SALES ORDER:	LINE:	NO.	CHANGE DESCRIPTION	DATE	CHK'D
CUSTOMER P.O.:			REVISIONS		
CUSTOMER NAME:					
JOB NAME:					
TAG UNIT:					
MODEL:					
ITEM NO.:					
NO. REV'D:	DATE:		DRAWN:		
SHEET:					REV.
TOLERANCE:	±				