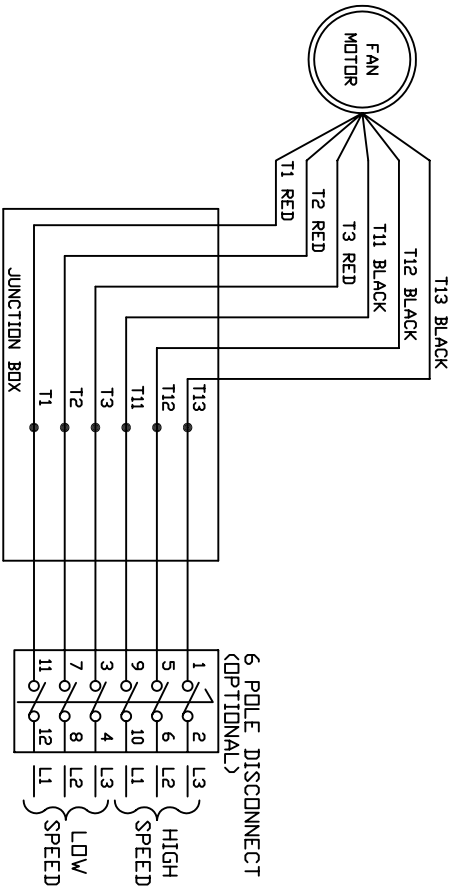


| | | |
|-----|----------|-----------|
| HP | FLA-EACH | FLA-TOTAL |
| 1/2 | 2.00 | 2.00 |
| HP | FLA-EACH | FLA-TOTAL |
| 1/2 | 460/3 | 460/3 |
| | 1.00 | 1.00 |

1 FAN WIRING DIAGRAM W/ OPTIONAL DISCONNECT



1 FAN 2 SPEED WIRING DIAGRAM W/ OPTIONAL DISCONNECT

WIRING BY OTHERS -----
 WIRING BY KRACK -----

| | | | | | |
|----------------|-------|-----------|--------------------|------|------|
| JOB NO.: | | NO. | CHANGE DESCRIPTION | DATE | CK'D |
| CUSTOMER P.O.: | | REVISIONS | | | |
| CUSTOMER NAME: | | | | | |
| JOB NAME: | | | | | |
| TAG UNIT: | | | | | |
| MODEL: | | | | | |
| ITEM NO.: | | | | | |
| NO. REV'D: | DATE: | | | | |
| SHEET OF: | | | | | |
| TOLERANCE: ± | | | | | |