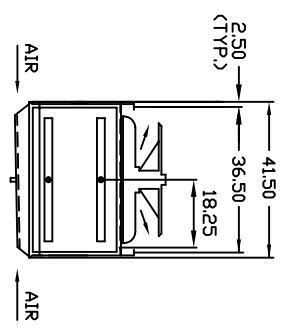


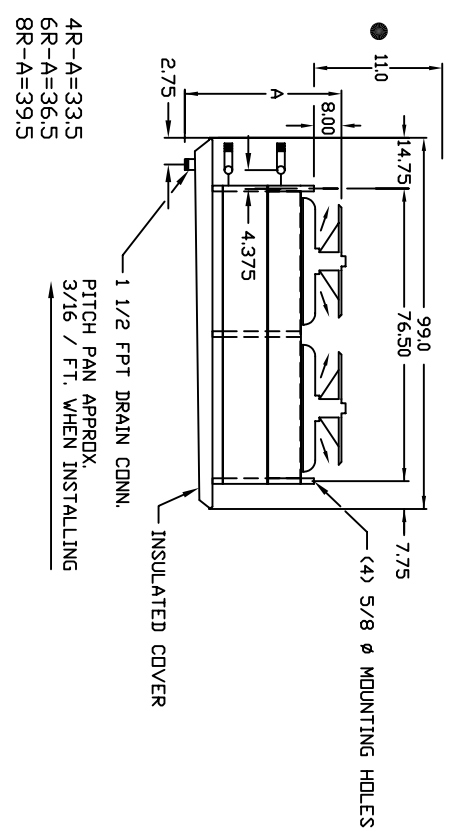
NOTE: DIMENSIONAL DRAWING FOR QUOTATION PURPOSES ONLY. DO NOT USE FOR CONSTRUCTION.

END VIEW



BTR 214-6-8

FRONT VIEW



● = MINIMUM REQUIRED FOR COMPLETE FAN AND MOTOR ASSEMBLY REMOVAL

DESIGN SPECIFICATIONS	UNITS
UNIT COOLING CAPACITY	BTUH
ROOM TEMPERATURE	°F
SUCTION TEMPERATURE	°F
REFRIGERANT	-
AIR FLOW RATE	CFM
EXTERNAL STATIC PRESSURE	INWG
NOMINAL FIN SPACING	FINS/IN
TOTAL SURFACE AREA	FT²
APPROXIMATE WEIGHT	LBS.

JOB NO.:			
CUSTOMER P.O.:			
CUSTOMER NAME:			
JOB NAME:			
TAG UNIT:			
MODEL:			
ITEM NO.:			
NO. OF SHEETS:		DATE:	
TOLERANCE: ±		DRAWN:	
		REV.:	