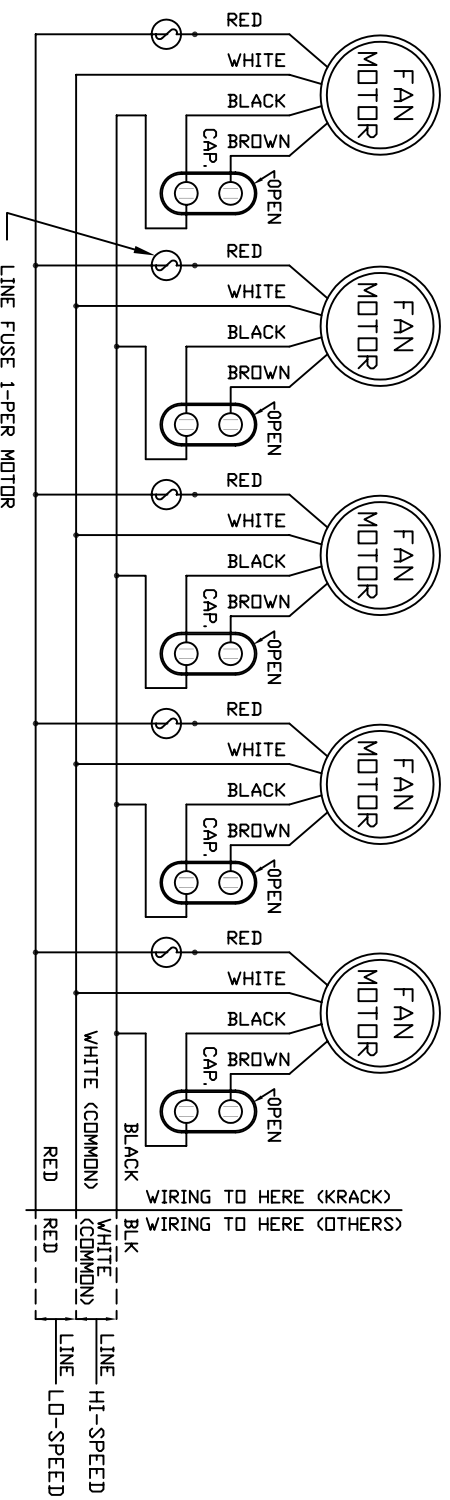
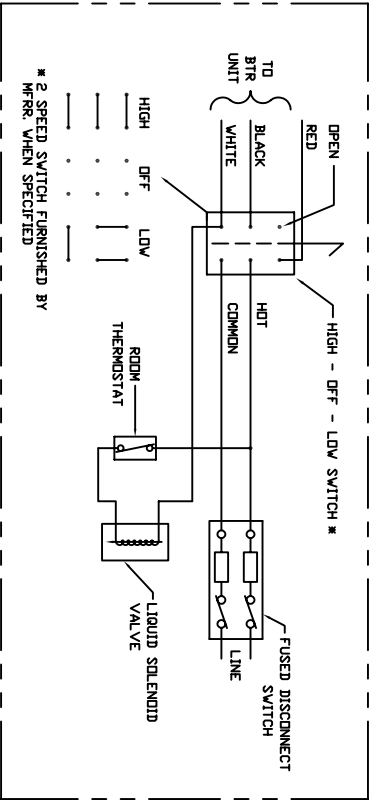


HP	FLA-EACH	FLA-TOTAL
1/6	115/1	115/1
	2.50	12.50
HP	FLA-EACH	FLA-TOTAL
1/6	230/1	230/1
	1.25	6.25



**NOTES:**

- VOLTAGE: 115-230/60/1
- MOTORS: ARE PERMANENT-SPLIT CAPACITOR-4 LEAD TYPE CAPACITORS: 5 MFD, 370 VA
- FAN MOTORS:
  - (1) HAVE BUILT-IN OVERLOAD PROTECTION.
  - (2) FUSES SHOWN BETWEEN MOTORS, ARE FOR PROTECTION FROM EXCESSIVE CLOSED LOOP CURRENTS THAT COULD BE GENERATED BETWEEN PARALLEL CONNECTED MOTORS DUE TO TRANSFORMER ACTION IN THE TAPPED LOW SPEED WINDINGS.
  - (3) FOR 2 SPEED APPLICATIONS WHERE FANS WILL RUN CONTINUOUSLY USE A SEPARATE MANUAL SWITCH FOR EACH UNIT.
  - (4) FOR 2 SPEED APPLICATIONS ON MULTIPLE UNITS WHERE AUTOMATIC SWITCHING IS REQUIRED, OR WHERE FANS MUST BE SHUT OFF DURING DEFROST, USE A SEPARATE SWITCHING RELAY FOR EACH UNIT WITH ONE N.C. & ONE N.O. CONTACT BETWEEN HIGH & LOW SPEED WIRES.
  - (5) WHENEVER POSSIBLE ALWAYS START MOTOR IN HIGH SPEED.
  - (6) CONSULT FACTORY FOR SUGGESTED WIRING.



2 SPEED FAN CONTROL DIAGRAM  
(MANUAL SWITCHING)  
WIRING AND COMPONENTS  
SHOWN BY OTHERS

WIRING BY OTHERS -----  
WIRING BY KRACK -----

JOB NO.:		NO.	CHANGE DESCRIPTION	DATE	CK'D
CUSTOMER		REVISIONS			
P.O.:					
CUSTOMER NAME:					
JOB NAME:					
TAG UNIT:					
MODEL:					
ITEM NO.:					
NO. REV'D:		DATE:		DRAWN:	
SHEET OF:					
TOLERANCE: ±					REV.