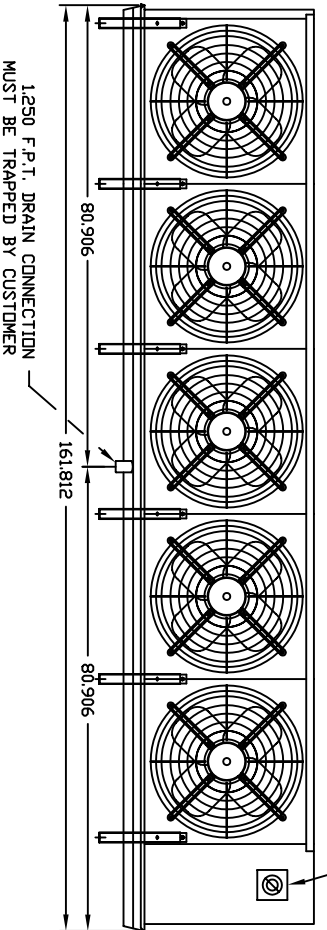
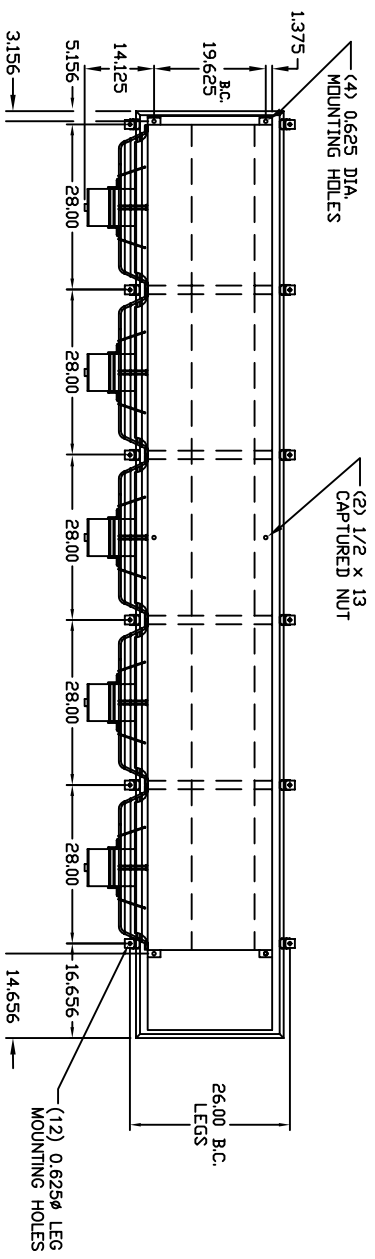
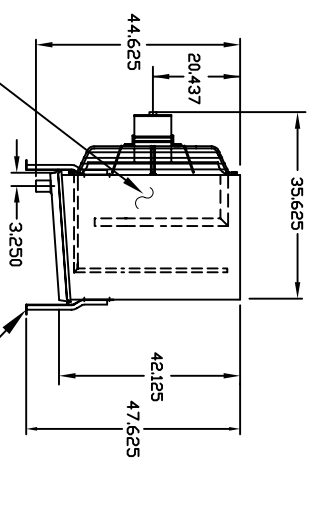


NOTE: DIMENSIONAL DRAWING FOR QUOTATION PURPOSES ONLY. DO NOT USE FOR CONSTRUCTION.



REFRIGERANT CONNECTIONS THIS END OUT BACK



| DESIGN SPECIFICATIONS    |  | UNITS           |
|--------------------------|--|-----------------|
| UNIT COOLING CAPACITY    |  | BTUH            |
| ROOM TEMPERATURE         |  | °F              |
| SUCTION TEMPERATURE      |  | °F              |
| REFRIGERANT              |  | -               |
| AIR FLOW RATE            |  | CFM             |
| EXTERNAL STATIC PRESSURE |  | INWG            |
| NOMINAL FIN SPACING      |  | FNS/IN          |
| TOTAL SURFACE AREA       |  | FT <sup>2</sup> |
| APPROXIMATE WEIGHT       |  | LBS.            |

| SALES ORDER:   |       | LINE: | NO. | CHANGE DESCRIPTION | DATE | CHK'D |
|----------------|-------|-------|-----|--------------------|------|-------|
| CUSTOMER P.O.: |       |       |     |                    |      |       |
| CUSTOMER NAME: |       |       |     |                    |      |       |
| JOB NAME:      |       |       |     |                    |      |       |
| TAG UNIT:      |       |       |     |                    |      |       |
| MODEL:         |       |       |     |                    |      |       |
| ITEM NO.:      |       |       |     |                    |      |       |
| NO. REV'D:     | DATE: |       |     |                    |      |       |
| SHEET          |       |       |     |                    |      |       |
| DRAWN:         |       |       |     |                    |      |       |
| REV.           |       |       |     |                    |      |       |
| TOLERANCE: ±   |       |       |     |                    |      |       |