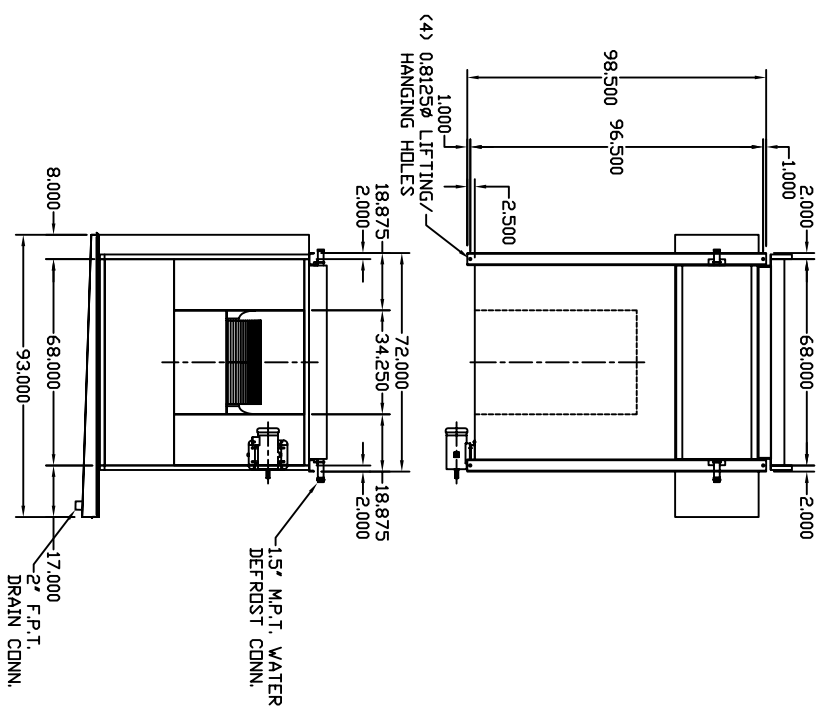
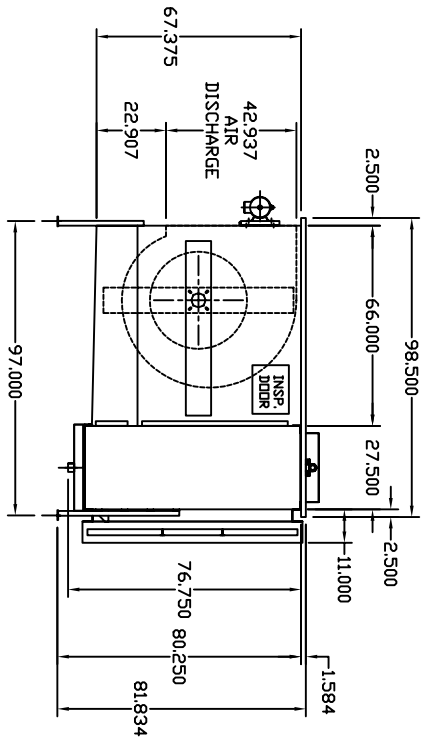
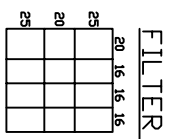


NOTE: DIMENSIONAL DRAWING FOR QUOTATION PURPOSES ONLY. DO NOT USE FOR CONSTRUCTION.



FILTER SECTION

| QTY | STOCK SIZE (In.) |
|-----|------------------|
| 3 | 20 x 16 x 2 |
| 1 | 20 x 20 x 2 |
| 6 | 25 x 16 x 2 |
| 2 | 25 x 20 x 2 |



| | | | | | |
|----------------|-------|-----------|--------------------|------|------|
| JOB NO.: | | NO. | CHANGE DESCRIPTION | DATE | CK'D |
| CUSTOMER P.O.: | | REVISIONS | | | |
| CUSTOMER NAME: | | | | | |
| JOB NAME: | | | | | |
| TAG UNIT: | | | | | |
| MODEL: | | | | | |
| ITEM NO.: | | | | | |
| NO. REV'D: | DATE: | | | | |
| SHEET OF: | | | | | |
| TOLERANCE: ± | | | | | |