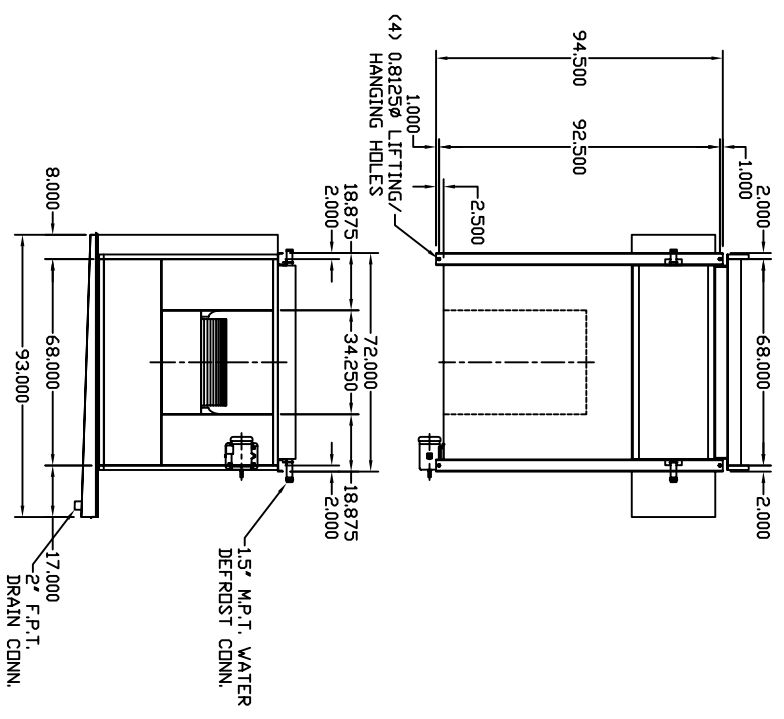


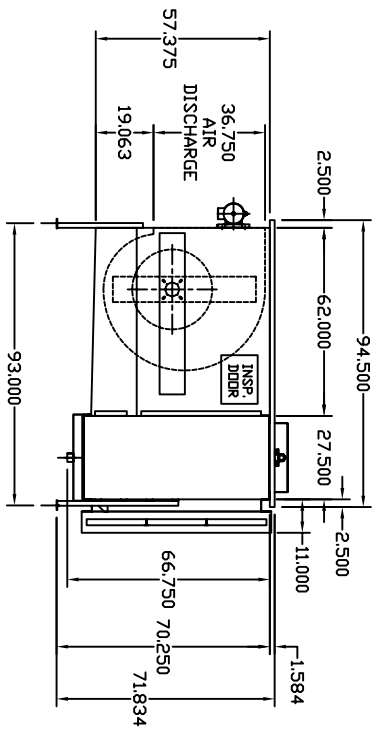
NOTE: DIMENSIONAL DRAWING FOR QUOTATION PURPOSES ONLY. DO NOT USE FOR CONSTRUCTION.



FILTER SECTION
 QTY 9 STOCK SIZE (in.)
 3 20 x 16 x 2
 20 x 20 x 2

FILTER PLACEMENT

| | | | |
|----|----|----|----|
| 20 | 16 | 16 | 16 |
| 20 | | | |
| 20 | | | |
| 20 | | | |



| | | | | | |
|----------------|---|-----------|--------------------|--------|------|
| JOB NO.: | | NO. | CHANGE DESCRIPTION | DATE | CK'D |
| CUSTOMER P.O.: | | REVISIONS | | | |
| CUSTOMER NAME: | | | | | |
| JOB NAME: | | | | | |
| TAG UNIT: | | | | | |
| MODEL: | | | | | |
| ITEM NO.: | | | | | |
| NO. REV'D: | | DATE: | | DRAWN: | |
| SHEET OF: | | | | | REV. |
| TOLERANCE: | ± | | | | |