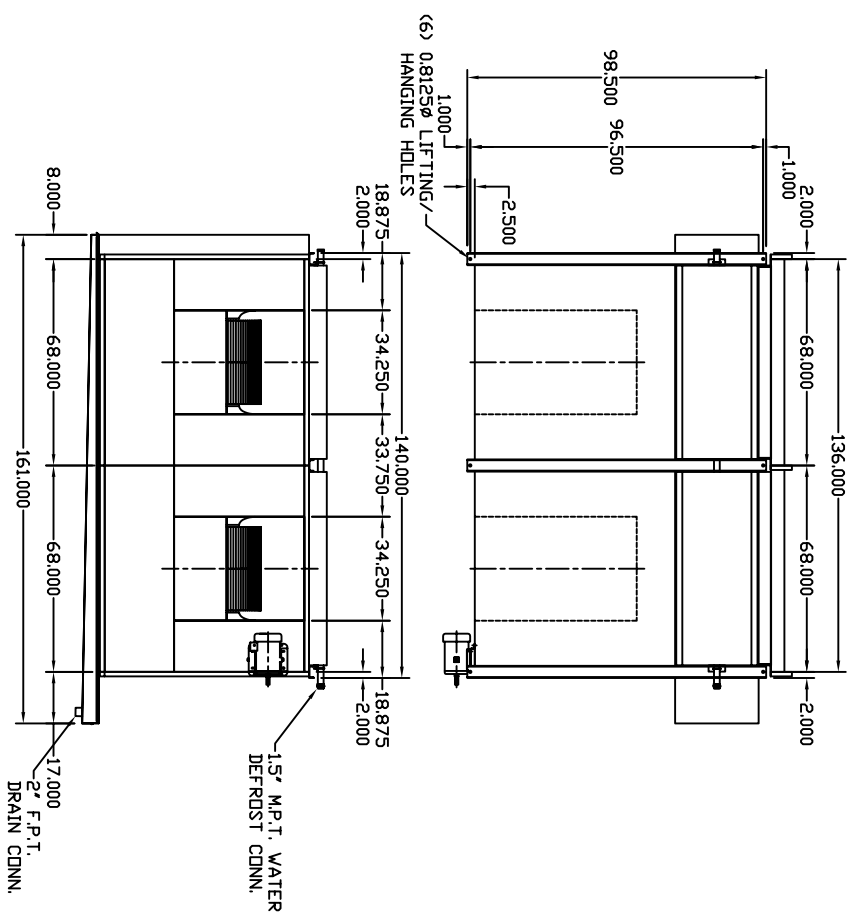
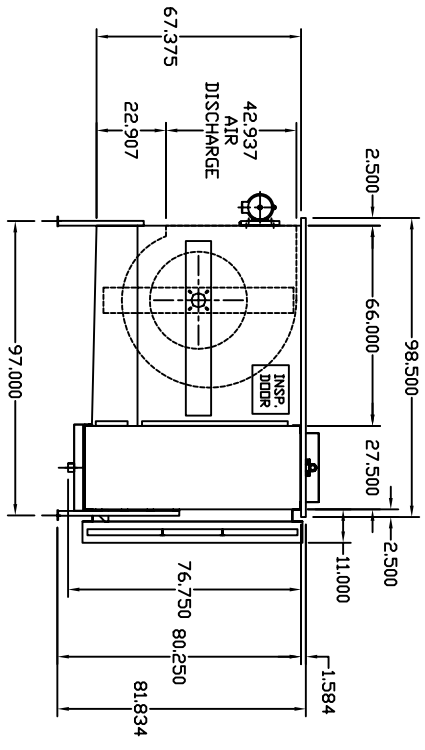
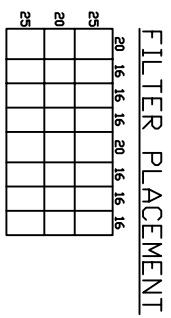


NOTE: DIMENSIONAL DRAWING FOR QUOTATION PURPOSES ONLY. DO NOT USE FOR CONSTRUCTION.



**FILTER SECTION**

QTY	STOCK SIZE (In.)
6	20 x 16 x 2
2	20 x 20 x 2
12	25 x 16 x 2
4	25 x 20 x 2



JOB NO.:		NO.	CHANGE DESCRIPTION	DATE	CK'D
CUSTOMER P.O.:		REVISIONS			
CUSTOMER NAME:					
JOB NAME:					
TAG UNIT:					
MODEL:					
ITEM NO.:					
NO. REV'D:		DATE:		DRAWN:	
SHEET OF:					
TOLERANCE:	±				REV.