

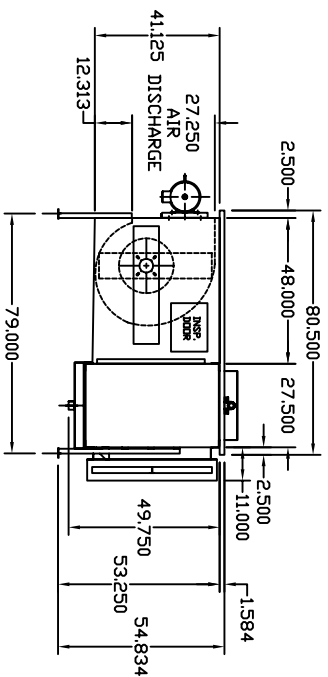
FILTER SECTION

QTY	STOCK SIZE (In.)
18	20 x 16 x 2
6	20 x 20 x 2

FILTER PLACEMENT

20	16	16	16	20	16	16	16	16	16	20	16	16	16	20
20				20				20					20	

NOTE: DIMENSIONAL DRAWING FOR QUOTATION PURPOSES ONLY. DO NOT USE FOR CONSTRUCTION.



JOB NO.:		NO.	CHANGE DESCRIPTION	DATE	CK'D
CUSTOMER P.O.:		REVISIONS			
CUSTOMER NAME:					
JOB NAME:					
TAG UNIT:					
MODEL:					
ITEM NO.:					
NO. REV'D:		DATE:		DRAWN:	
SHEET OF:					REV.
TOLERANCE:	±				