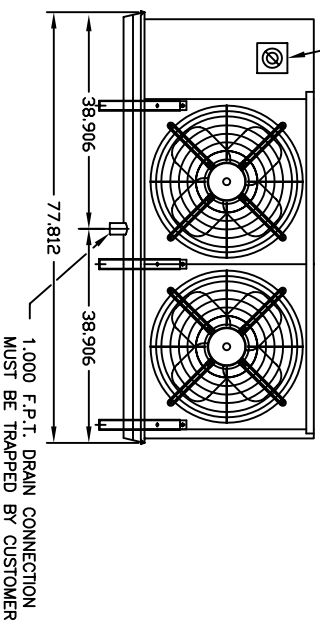
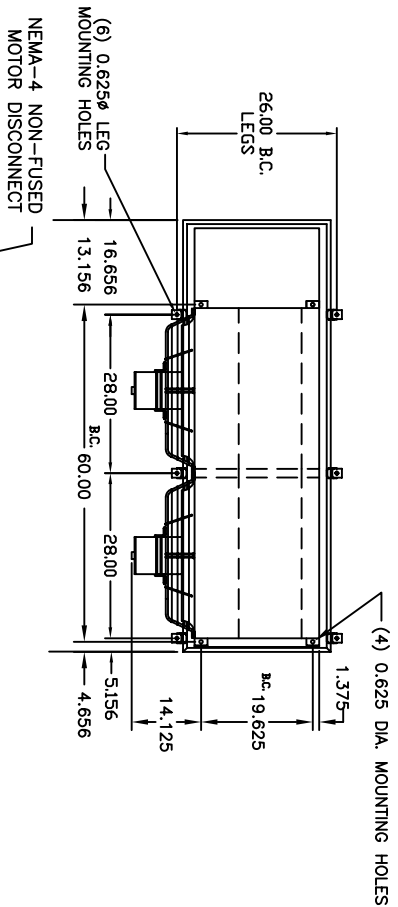
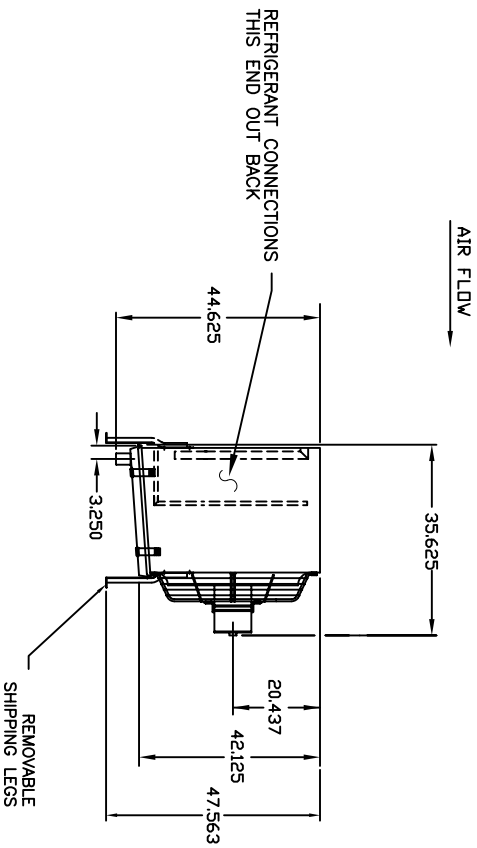


NOTE: DIMENSIONAL DRAWING FOR QUOTATION PURPOSES ONLY. DO NOT USE FOR CONSTRUCTION.



DESIGN SPECIFICATIONS		UNITS
UNIT COOLING CAPACITY		BTUH
ROOM TEMPERATURE		°F
SUCTION TEMPERATURE		°F
REFRIGERANT		-
AIR FLOW RATE		CFM
EXTERNAL STATIC PRESSURE		INWG
NOMINAL FIN SPACING		FNS/IN
TOTAL SURFACE AREA		FT <sup>2</sup>
APPROXIMATE WEIGHT		LBS.

WORK TO DIMENSIONS  
DO NOT SCALE DRAWING

SALES ORDER:		LINE:	NO.	CHANGE DESCRIPTION	DATE	CHK'D
CUSTOMER:						
P.O.:						
CUSTOMER NAME:						
JOB NAME:						
TAG UNIT:						
MODEL:						
ITEM NO.:						
NO. REV'D:	DATE:					
SHEET:						
DRAWN:						
REV.:						
TOLERANCE:						