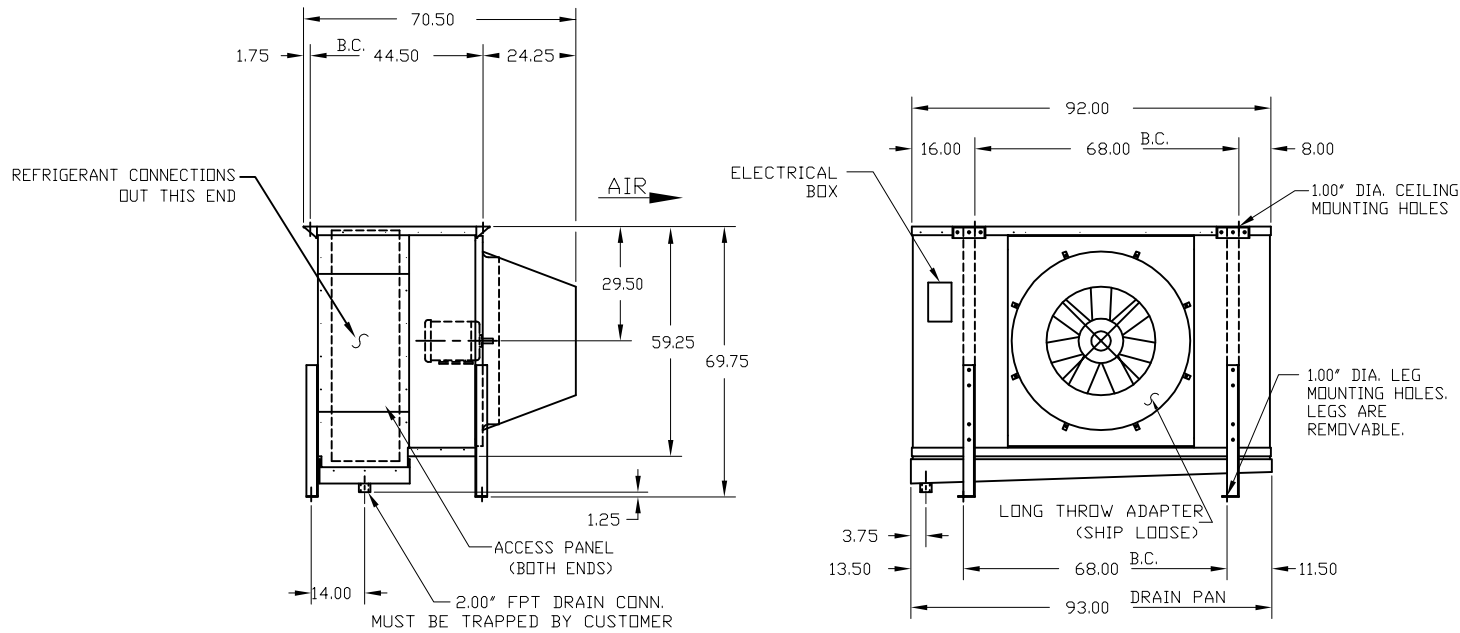


NOTE: DIMENSIONAL DRAWING FOR QUOTATION PURPOSES ONLY. DO NOT USE FOR CONSTRUCTION. DRAWING RELEASE NO. QCD0001.



| DESIGN SPECIFICATIONS | UNITS |
|---|---------|
| UNIT COOLING CAPACITY | BTUH |
| ROOM TEMPERATURE | °F |
| SUCTION TEMPERATURE | °F |
| REFRIGERANT | - |
| *LIQUID FEED RATE | GPM |
| AIR FLOW RATE | CFM |
| EXTERNAL STATIC PRESSURE | INWG |
| NOMINAL FIN SPACING | FINS/IN |
| TOTAL SURFACE AREA | SQ FT |
| APPROXIMATE WEIGHT | LBS |
| COIL INTERNAL VOLUME | CU FT |
| *NOTE: LIQUID FEED PRESSURE MUST BE AT LEAST 5 PSIG ABOVE SUCTION PRESSURE. | |

WORK TO DIMENSIONS
DO NOT SCALE DRAWING

| SALES ORDER | LINE: | NO. | CHANGE DESCRIPTION | DATE | CK'D |
|-------------------|--|--------|--------------------|------|------|
| CUSTOMER P.O.: | | | | | |
| CUSTOMER NAME: | REVISIONS | | | | |
| JOB NAME: | | | | | |
| TAG UNIT: | | | | | |
| MODEL: | PC 1 -28 - - - - - -LH | | | | |
| ITEM NO.: | | | | | |
| NO. REQ'D: | DATE: | DRAWN: | | | |
| SHEET 1 OF 2 | <div style="text-align: center;"> KRACK CORPORATION </div> | | | REV. | |
| TOLERANCE: ±0.50" | | | | | |