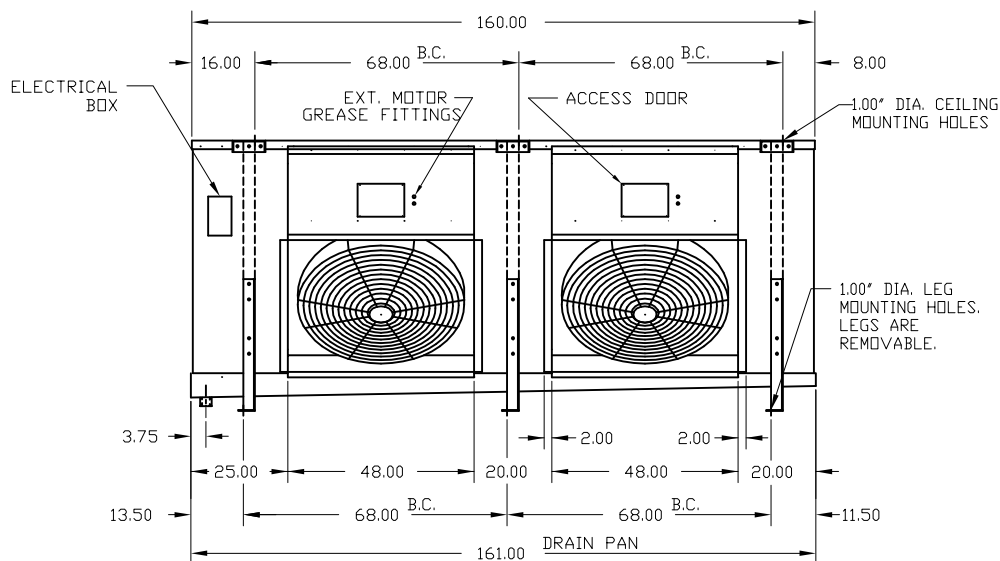
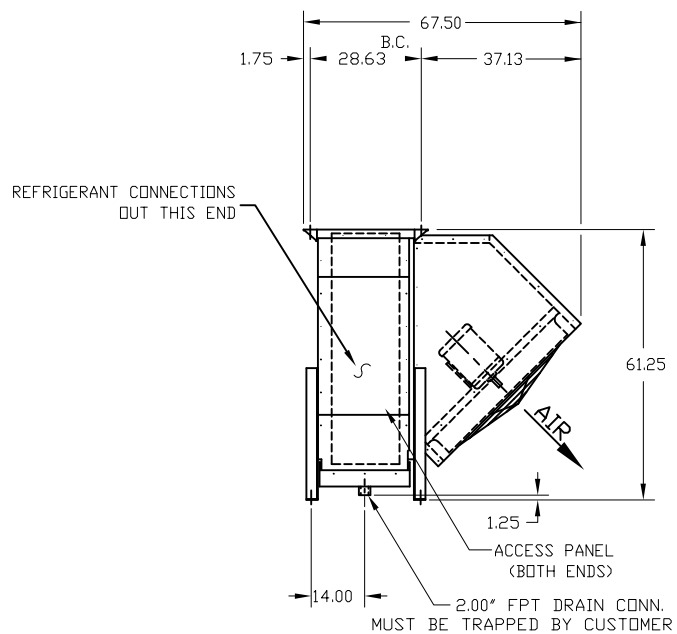


NOTE: DIMENSIONAL DRAWING FOR QUOTATION PURPOSES ONLY. DO NOT USE FOR CONSTRUCTION. DRAWING RELEASE NO. QCD0001.



DESIGN SPECIFICATIONS	UNITS
UNIT COOLING CAPACITY	BTUH
ROOM TEMPERATURE	*F
SUCTION TEMPERATURE	*F
REFRIGERANT	-
*LIQUID FEED RATE	GPM
AIR FLOW RATE	CFM
EXTERNAL STATIC PRESSURE	INWG
NOMINAL FIN SPACING	FINS/IN
TOTAL SURFACE AREA	SQ FT
APPROXIMATE WEIGHT	LBS
COIL INTERNAL VOLUME	CU FT
*NOTE: LIQUID FEED PRESSURE MUST BE AT LEAST 5 PSIG ABOVE SUCTION PRESSURE.	

WORK TO DIMENSIONS  
DO NOT SCALE DRAWING

SALES ORDER	LINE:	NO.	CHANGE DESCRIPTION	DATE	CHK'D
CUSTOMER					
P.O.:					
CUSTOMER NAME:					REVISIONS
JOB NAME:					
TAG UNIT:					
MODEL:	PC 2	-48	-	-	-
					-LH-DB
ITEM NO.:					
NO. REQ'D:	DATE:				DRAWN:
SHEET:	<div style="text-align: center; font-weight: bold; font-size: 1.2em;">                     KRACK CORPORATION                 </div>				REV.
TOLERANCE: ±0.50"					