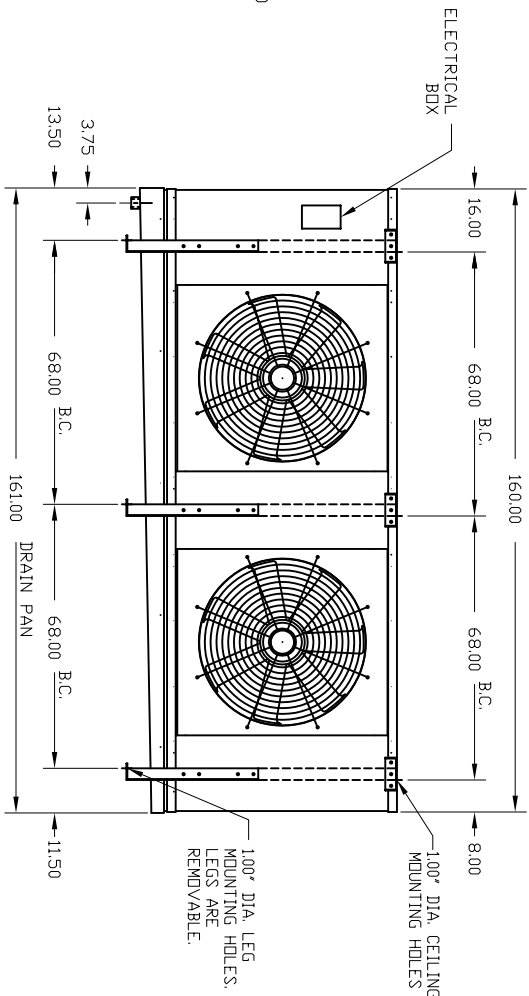
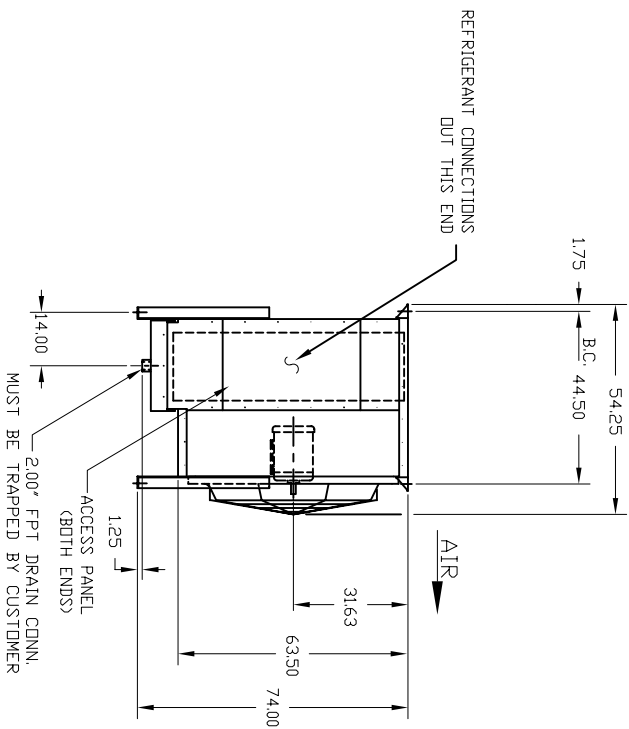


NOTE: DIMENSIONAL DRAWING FOR QUOTATION PURPOSES ONLY. DO NOT USE FOR CONSTRUCTION.



DESIGN SPECIFICATIONS	UNITS
UNIT COOLING CAPACITY	BTUH
ROOM TEMPERATURE	°F
SUCTION TEMPERATURE	°F
REFRIGERANT	—
* LIQUID FEED RATE	GPM
AIR FLOW RATE	CFM
EXTERNAL STATIC PRESSURE	INWG
NOMINAL FIN SPACING	FINS/IN
TOTAL SURFACE AREA	SQ. FT
APPROXIMATE WEIGHT	LBS
COIL INTERNAL VOLUME	CU FT

* NOTE: LIQUID FEED PRESSURE MUST BE AT LEAST 5 PSIG ABOVE SUCTION PRESSURE.

WORK TO DIMENSIONS
DO NOT SCALE DRAWING

DATE	LINE	NO.	CHANGE DESCRIPTION	DATE	CHKD.

DESIGNER		REVISIONS	
CHECKED			
CUSTOMER			
DATE			
NO. UNIT			
MODEL	FC 2 - 61		-LH
REV. NO.			
DATE			
NO. SHEET			
TOLERANCE	±0.50"		

KRACK CORPORATION