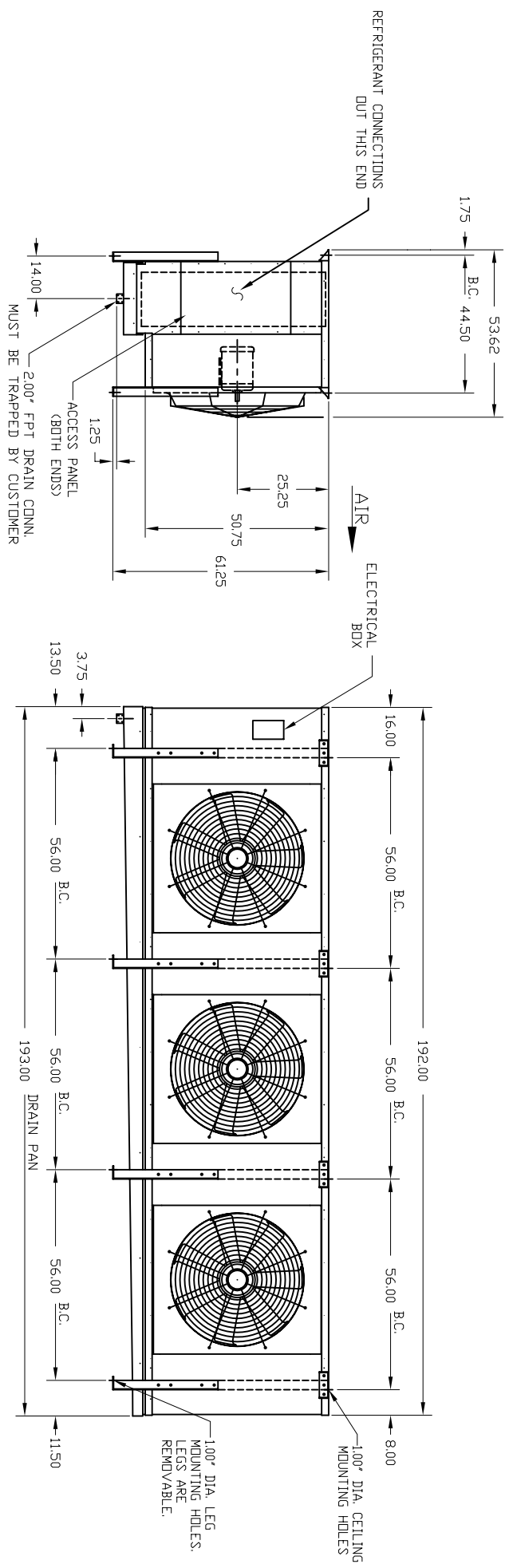


NOTE: DIMENSIONAL DRAWING FOR QUOTATION PURPOSES ONLY. DO NOT USE FOR CONSTRUCTION.



DESIGN SPECIFICATIONS	UNITS
UNIT COOLING CAPACITY	BTUH
ROOM TEMPERATURE	°F
SUCTION TEMPERATURE	°F
REFRIGERANT	-
* LIQUID FEED RATE	GPM
AIR FLOW RATE	CFM
EXTERNAL STATIC PRESSURE	INWG
NOMINAL FIN SPACING	FINS/IN
TOTAL SURFACE AREA	SQ. FT
APPROXIMATE WEIGHT	LBS
COIL INTERNAL VOLUME	CU FT

* NOTE: LIQUID FEED PRESSURE MUST BE AT LEAST 5 PSIG ABOVE SUCTION PRESSURE.

WORK TO DIMENSIONS DO NOT SCALE DRAWING		LINE	NO.	CHANGE DESCRIPTION	DATE	CHKD.
SALES ENGINEER						
DESIGNER						
CHECKER						
CUSTOMER USE NAME:						
DATE:						
MODEL:	FC 3 - 60					
SIZE:						
REV.:						
DATE:						
DRAWN:						
CHKD.:						
DATE:						
TOLERANCE:	±0.50"					

KRACK CORPORATION