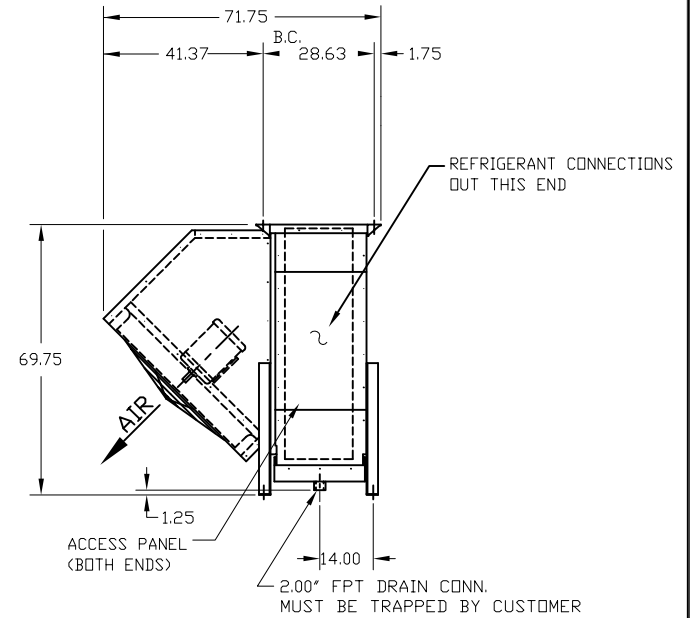
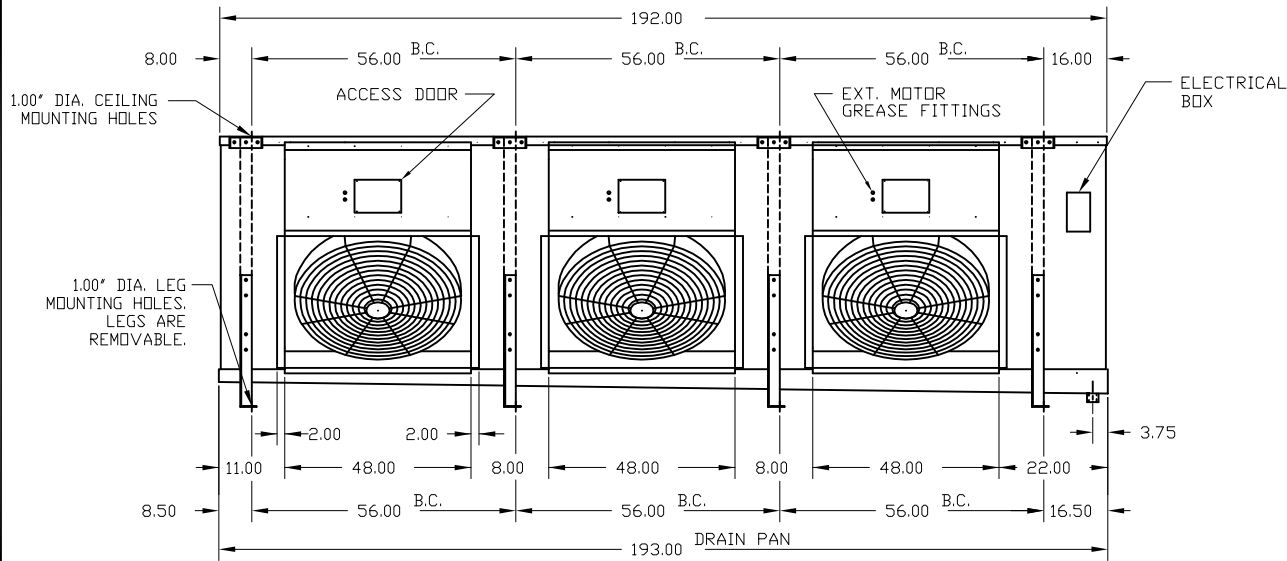


NOTE: DIMENSIONAL DRAWING FOR QUOTATION PURPOSES ONLY. DO NOT USE FOR CONSTRUCTION. DRAWING RELEASE NO. QCD0001.



DESIGN SPECIFICATIONS	UNITS
UNIT COOLING CAPACITY	BTUH
ROOM TEMPERATURE	°F
SUCTION TEMPERATURE	°F
REFRIGERANT	-
* LIQUID FEED RATE	GPM
AIR FLOW RATE	CFM
EXTERNAL STATIC PRESSURE	INWG
NOMINAL FIN SPACING	FINS/IN
TOTAL SURFACE AREA	SQ. FT.
APPROXIMATE WEIGHT	LBS.
COIL INTERNAL VOLUME	CU. FT.
*NOTE: LIQUID FEED PRESSURE MUST BE AT LEAST 5 PSIG ABOVE SUCTION PRESSURE.	

WORK TO DIMENSIONS
DO NOT SCALE DRAWING

SALES ORDER	LINE	NO.	CHANGE DESCRIPTION	DATE	CK'D
CUSTOMER P.O. #					
REVISIONS					
CUSTOMER NAME					
JOB NAME					
TAG UNIT					
MODEL: PC 3 -70 - - - - -RH-DB					
ITEM NO.:					
NO. REQ'D	DATE	DRAWN			
SHEET		KRACK CORPORATION			
TOLERANCE: ±0.50"					REV.