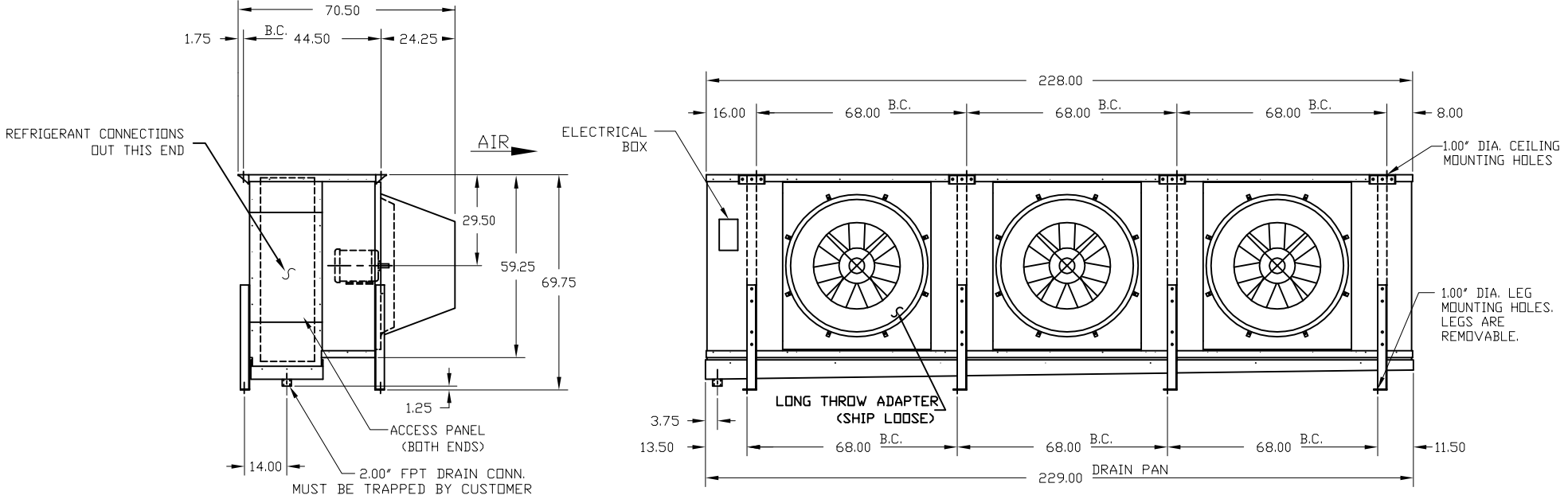


NOTE: DIMENSIONAL DRAWING FOR QUOTATION PURPOSES ONLY. DO NOT USE FOR CONSTRUCTION. DRAWING RELEASE NO. QCD0001.



DESIGN SPECIFICATIONS		UNITS
UNIT COOLING CAPACITY		BTUH
ROOM TEMPERATURE		°F
SUCTION TEMPERATURE		°F
REFRIGERANT		-
*LIQUID FEED RATE		GPM
AIR FLOW RATE		CFM
EXTERNAL STATIC PRESSURE		INWG
NOMINAL FIN SPACING		FINS/IN
TOTAL SURFACE AREA		SQ FT
APPROXIMATE WEIGHT		LBS
COIL INTERNAL VOLUME		CU FT
*NOTE: LIQUID FEED PRESSURE MUST BE AT LEAST 5 PSIG ABOVE SUCTION PRESSURE.		

WORK TO DIMENSIONS
DO NOT SCALE DRAWING

ORDER NO.	LINE	NO.	CHANGE DESCRIPTION	DATE	CHK'D
CUSTOMER P.O. NO. _____					
REVISIONS					
CUSTOMER NAME _____					
JOB NAME _____					
TAG UNIT _____					
MODEL: PC 3 -84 - - - - - - - - LH					
ITEM NO. _____					
NO. REQ'D:	DATE:				DRAWN:
SHEET	KRACK CORPORATION				REV.
TOLERANCE:					