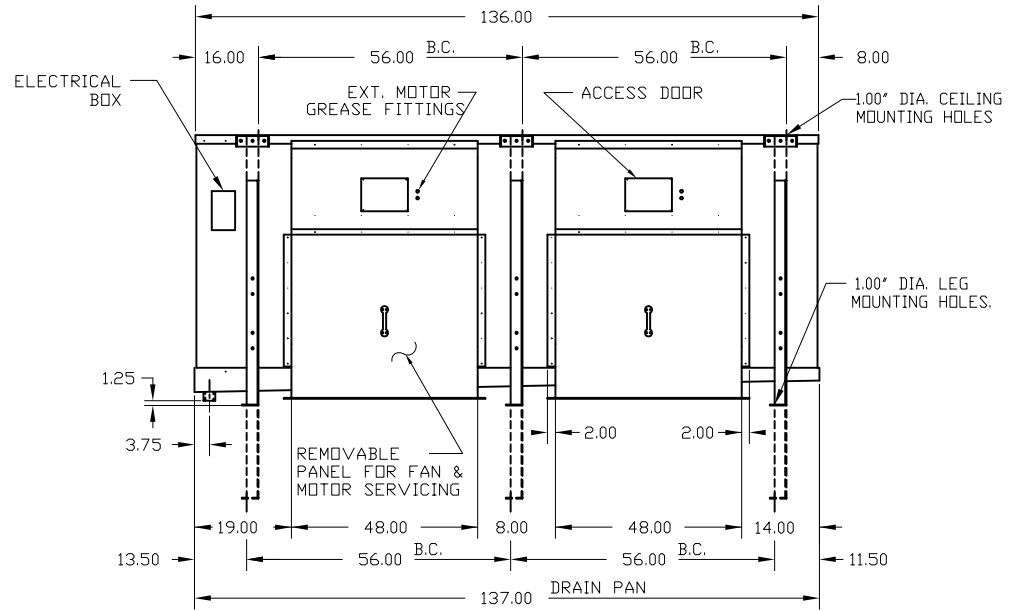
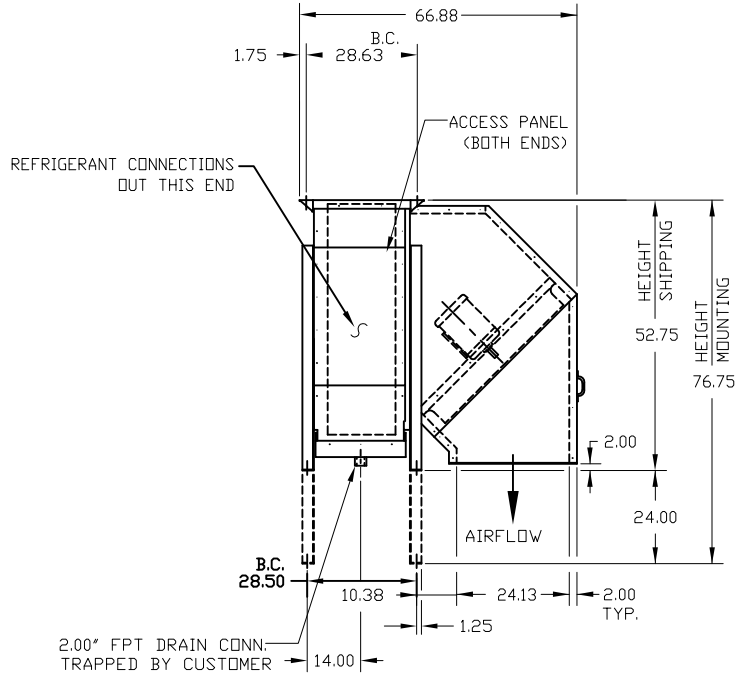


NOTE: UNIT SHOWN IN SHIPPING POSITION.  
 UNIT HAS TO BE RAISED & SUPPORTED,  
 REMOVE SHIPPING LEGS, INSTALL PENHOUSE  
 LEGS PRIOR TO FINAL MOUNTING.

NOTE: DIMENSIONAL DRAWING FOR QUOTATION  
 PURPOSES ONLY. DO NOT USE FOR  
 CONSTRUCTION. DRAWING RELEASE NO.  
 QCD0001.



DESIGN SPECIFICATIONS	UNITS
UNIT COOLING CAPACITY	BTUH
ROOM TEMPERATURE	°F
SUCTION TEMPERATURE	°F
REFRIGERANT	-
*LIQUID FEED RATE	GPM
AIR FLOW RATE	CFM
EXTERNAL STATIC PRESSURE	INWG
NOMINAL FIN SPACING	FINS/IN
TOTAL SURFACE AREA	SQ FT
APPROXIMATE WEIGHT	LBS
COIL INTERNAL VOLUME	CU FT
*NOTE: LIQUID FEED PRESSURE MUST BE AT LEAST 5 PSIG ABOVE SUCTION PRESSURE.	

WORK TO DIMENSIONS  
 DO NOT SCALE DRAWING

SALES ORDER	LINE	NO.	CHANGE DESCRIPTION	DATE	CHK'D
CUSTOMER P.O.:					
REVISIONS					
CUSTOMER NAME:					
JOB NAME:					
TAG UNIT:					
MODEL: PH 2 -33 - - - - -LH					
ITEM NO.:					
NO. REQ'D:	DATE:		DRAWN:		
SHEET	<div style="text-align: center; font-weight: bold; font-size: 1.2em;">KRACK CORPORATION</div>				REV.
TOLERANCE: ±0.50"					