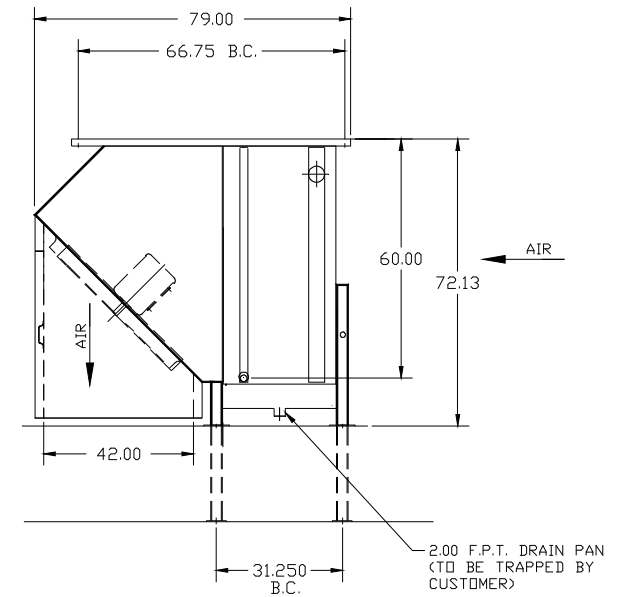
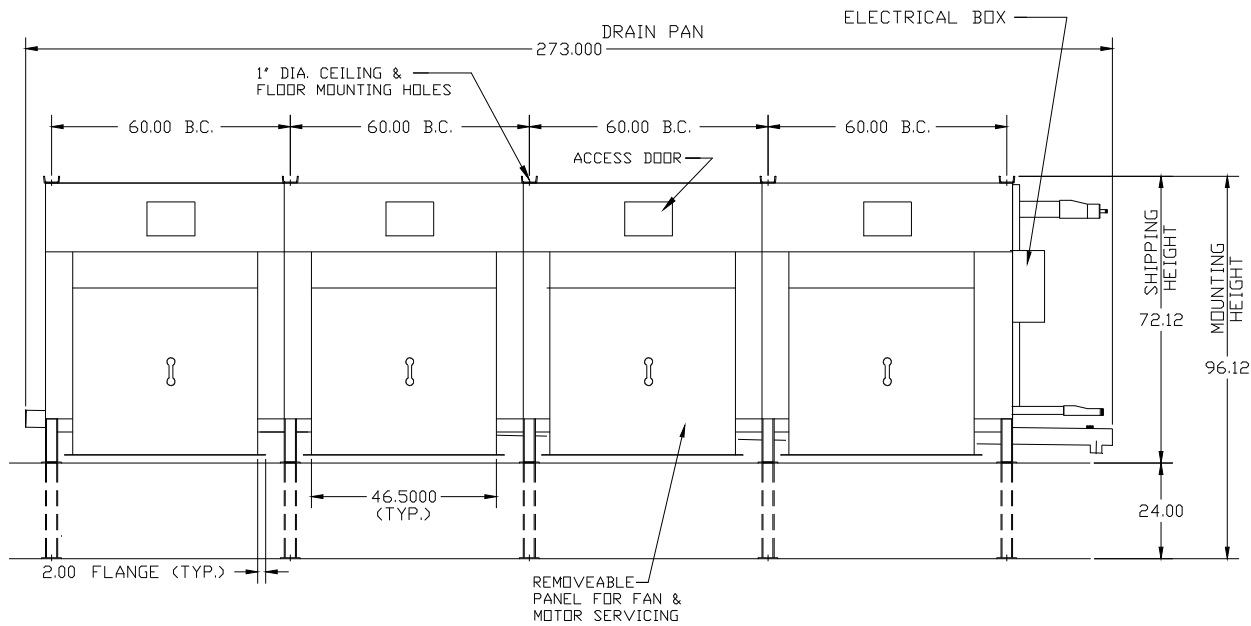


NOTE: DIMENSIONAL DRAWING FOR QUOTATION PURPOSES ONLY. DO NOT USE FOR CONSTRUCTION. DRAWING RELEASE NO. QCD0001.



| DESIGN SPECIFICATIONS   | UNITS   |
|---|---------|
| UNIT COOLING CAPACITY   | BTUH    |
| ROOM TEMPERATURE  | *F      |
| SUCTION TEMPERATURE   | *F      |
| REFRIGERANT   | -       |
| * LIQUID FEED RATE  | GPM     |
| AIR FLOW RATE   | CFM     |
| EXTERNAL STATIC PRESSURE  | INWG    |
| NOMINAL FIN SPACING   | FINS/IN |
| TOTAL SURFACE AREA  | SQ FT   |
| APPROXIMATE WEIGHT  | LBS     |
| COIL INTERNAL VOLUME  | CU FT   |
| *NOTE: LIQUID FEED PRESSURE MUST BE AT LEAST 5 PSIG ABOVE SUCTION PRESSURE. |         |

WORK TO DIMENSIONS  
DO NOT SCALE DRAWING

| SALES ORDER:   | LINE:  | NO.              | CHANGE DESCRIPTION | DATE | CK'D |
|----------------|--------|------------------|--------------------|------|------|
| CUSTOMER P.O.: |        |                  |                    |      |      |
| CUSTOMER NAME: |        |                  |                    |      |      |
| JOB NAME:      |        |                  |                    |      |      |
| TAG UNIT:      |        |                  |                    |      |      |
| MODEL: PC4     |        |                  |                    |      |      |
| ITEM NO.:      |        |                  |                    |      |      |
| NO. REQ'D:     | DATE:  | DRAWN:           |                    |      | REV. |
| SHEET          |        | KRAK CORPORATION |                    |      |      |
| TOLERANCE:     | ±0.50" |                  |                    |      |      |