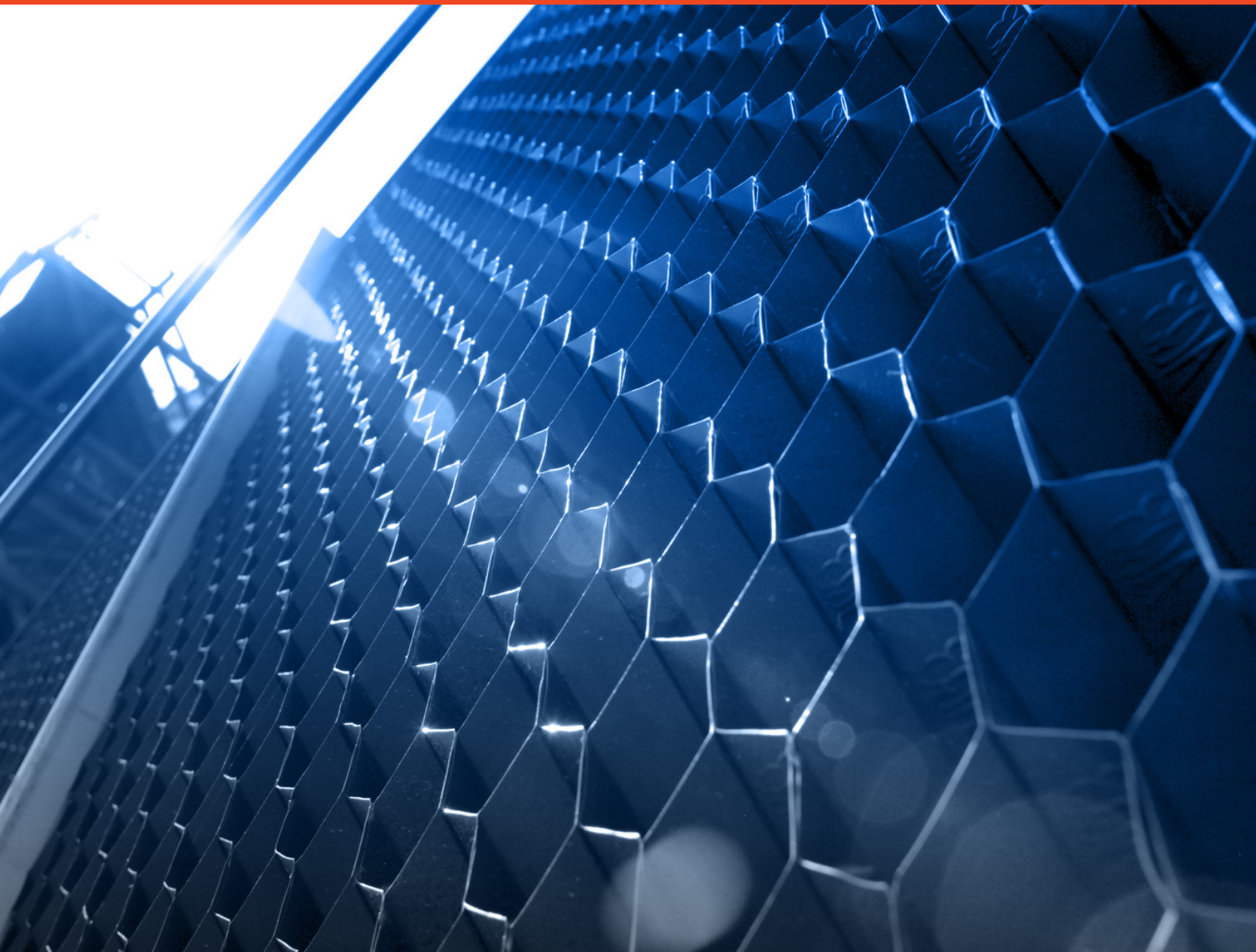


# Marley Replacement Parts

For Your BAC Cooling Tower

MARLEY® 

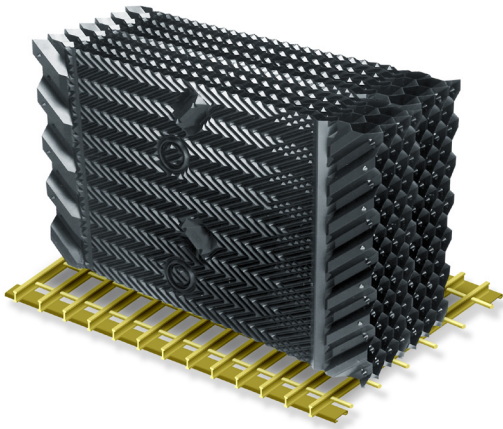


# Marley Replacement Parts

FOR OTHER MANUFACTURERS' COOLING TOWERS

## OUR MARLEY PARTS. YOUR BAC TOWER.

Now Marley parts are available for your non-Marley cooling tower. When your maintenance and repair projects demand quality and reliability, count on Marley, engineered to fit, cooling tower components.



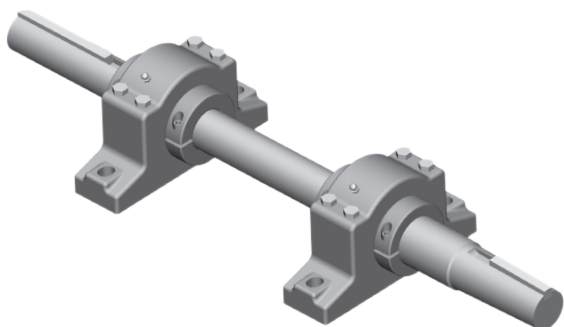
### Marley MBX Fill ①

Marley MBX fill is a high performing, bottom supported PVC pack fill with integral louvers and drift eliminators. It provides faster, easier installation.



### Marley X7 Fan ②

The Marley X7 fan is designed for induced-draft cooling tower applications, offering distinct advantages over other fan designs.



### Bearings and Fan Shaft ③

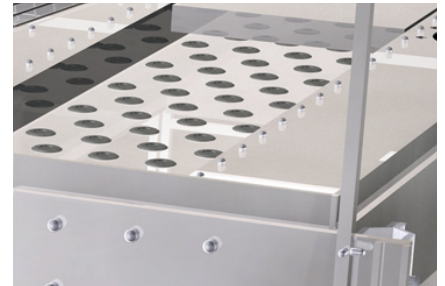
Medium and heavy duty bearing replacements for vertical and horizontal mounting applications. Vertical and horizontal mounted fan shafts for direct replacements.





#### ④ Marley Hot Water Basin

Hot water basins designed the Marley way. Includes Marley ST Nozzles to meet your flow profile.



#### ⑤ Fan Belt

Replacement belts to keep your cooling tower in service.



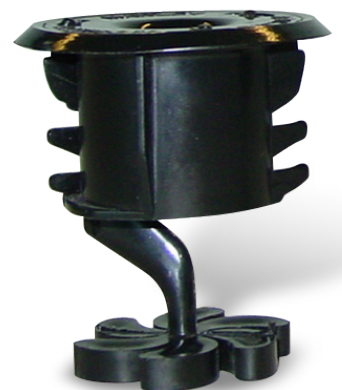
#### ⑥ Sheave

Available in both aluminum and cast iron.



#### ⑦ Marley Spiral Target Crossflow Nozzles

The Marley Spiral Target Nozzle is an injection molded polypropylene unit consisting of two parts—the main body with integral target diffuser and a snap-on insert or orifice cap.



# Marley Replacement Parts

FOR OTHER MANUFACTURERS' TOWERS

Marley mechanical system components are available for your Non-Marley cooling tower.

**Find your Marley technical expert at [spxcooling.com](http://spxcooling.com), 1-800-4-Marley or [spxcooling@spx.com](mailto:spxcooling@spx.com).**

---

## SPX COOLING TECHNOLOGIES, INC.

7401 WEST 129 STREET  
OVERLAND PARK, KS 66213 USA  
913 664 7400 | [spxcooling@spx.com](mailto:spxcooling@spx.com)  
[spxcooling.com](http://spxcooling.com)

MRP-1-16 | ISSUED 09/2016  
COPYRIGHT © 2016 SPX CORPORATION

In the interest of technological progress, all products are subject to design  
and/or material change without notice.

